

JS 300 LINE CLEANING PUMP

Special Instructions & Parts List



Rules for safe operation

Safety precautions are essential when any electrical or mechanical equipment is involved. These precautions are necessary when using, storing and servicing electromechanical equipment. Using this equipment with the respect and caution demanded will considerably lessen the possibilities of personal injury. If safety precautions are overlooked or ignored, personal injury or property damage may occur.

This unit was designed for specific applications. It should not be modified and/or used for any application other than those for which it was designed. If there are any questions regarding its application, call, email or write Maxi-Vac. Do not use this unit until you have been advised. For more information, call Customer Service at (630) 620-6669.

1. Read this manual carefully—know your equipment. Consider the applications, limitations, and the potential hazards specific to your unit.
2. Outlets which a third prong (ground) are required. Do not use without grounded prong.
3. Do not touch plug or outlet with wet hands.
4. Avoid accidental starts. Shut switch to “off” before connecting or disconnecting cord at electrical outlets.
5. Water spray must never be directed towards any electric wiring or directly towards the machine itself or fatal electric shock may occur.
6. Never carry unit by the cord or hoses. Do not pull on cord to disconnect from outlet.
7. To prevent damage, the cord should not be crushed, placed next to sharp objects or near heat.
8. Check power cords before using. Damaged cords can reduce performance or cause a fatal electric shock.
9. Never direct discharge at people or pets.
10. Never allow children to operate at any time.
11. Wear safety glasses and/or goggle while operating.

12. Disconnect power plug from the outlet when not in use and prior to the detaching of the pressure hose.
13. Prior to starting in cold weather, be sure ice has not formed in any part of the equipment.
14. To allow free air circulation, the unit should NOT be covered during operation.
15. To prevent voltage drop, do not use an extension cord unless absolutely necessary. Then, make certain the cord is of equal or larger rating than the cord set.

Grounding Instructions

This product must be grounded. If it should malfunction or break down, grounding provides a path of least resistance for electric current to reduce the risk of electric shock. This product is equipped with a cord having an equipment-grounding conductor and a grounding plug. The plug must be plugged into an appropriate outlet that is properly installed and grounded in accordance with all local codes and ordinances.

Use only 3-wire extension cords that have 3-prong grounding type plugs and 3-pole cord connectors that accept the plug from the product.

Use only extension cords that are intended for outdoor use. These extension cords are identified by a marking "Acceptable for use with outdoor appliances, store indoors while not in use." Use only extension cords having an electrical rating higher than the rating of the product.

Important DON'T's to Protect Your Unit Against Damage

1. Don't run your unit without inlet water hose in place. This will damage the pump and VOID THE WARRANTY.
2. Don't let particulate matter get into the pump. Sand and other material can ruin the pump immediately. This VOIDS THE WARRANTY. To keep particles out, never operate your unit without the filter properly installed on the suction tube.

Assembly Procedures

Quick couple the suction tube and discharge tube to the adapters on the front of the unit.

Operating Procedure

1. Place clear plastic siphon tube in pail of water or premixed cleaner.



CAUTION

CAUTION: Make certain the end strainer is in place, clean, unclogged or kinked. Failure to do so could allow dirt, grit, sand, etc. to be sucked into the unit. This could block valves and cause the unit to malfunction. If filters are not in place, the warranty is void. Water temperature above 140°F should be avoided.

2. Connect the threaded adapter on the discharge line to the draft system in your normal manner.
3. Make certain the yellow handle on the ball valve is in the open position—parallel with the valve. Turn on the line switch. The pump will draw solution from the pail and circulate it through the system.

Internal Bypass

The pump is equipped with an internal bypass which prevents excess pressure from building up in the system. * The pump will automatically bypass if restrictions in the system cause pressure to rise above 60 PSI.

You may further control discharge flow by adjusting the yellow handle on the ball valve. The more you close the valve, the less water will flow into the discharge and the more water will bypass inside the pump.

NOTE: The bypass control must be open when the unit is initially turned on to allow the pump to start discharging liquid. You may adjust the volume after a uniform flow is established.

Frozen Pumps

You are cautioned not to allow the pump to freeze. If there is only a small amount of water in the pump, it freezes quickly. In cold weather it is suggested the pump be transported inside your vehicle, not in a trunk or bed of a truck. **Freezing voids the warranty on the pump.**

Storage

Always store your cleaner in a location where the temperature will not fall below 32°F. The pump in this machine is susceptible to permanent damage if frozen. **Freeze Damage is not covered by the warranty.**

LIMITED WARRANTY

This product is warranted by Maxi-Vac, Inc. to the original purchaser against defects in material and workmanship for a period of one year from the date of purchase and is not transferable. This warranty does not apply to rental applications. The warranty period for units in rental service is 90 days.

WHAT IS COVERED: Replacement parts and labor on the base unit.

WHAT IS NOT COVERED: This warranty does not include such parts as hoses and electric cords which must be replaced as part of normal maintenance of the equipment, rather than as the result of a defect. Transportation charges to Maxi-Vac for defective products. Transportation charges to return repaired products. Damages caused by abuse, accident, improper repair, or failure to perform normal maintenance. Use of improper chemicals or noncompliance with the operators manuals instructions. Sales outside of the United States and Canada. Any other expense including consequential damages, incidental damages, or incidental expenses, including damage to property. Some states do not allow the exclusion or limitation of incidental or consequential damages, so the above limitation or exclusion may not apply to you. This warranty does not cover defects resulting from failure to observe any of the following conditions:

1. The inlet water temperature must not exceed 140°F.
2. The unit must not be run “dry” (without inlet water).
3. The unit should not be stored in areas where temperatures drop below 32°F.

HOW TO OBTAIN WARRANTY SERVICE: Simply return the unit to your Maxi-Vac dealer, along with proof of date of purchase. The dealer will return the unit, with your proof of date of purchase to the Service Department, Maxi-Vac, transportation charges prepaid.

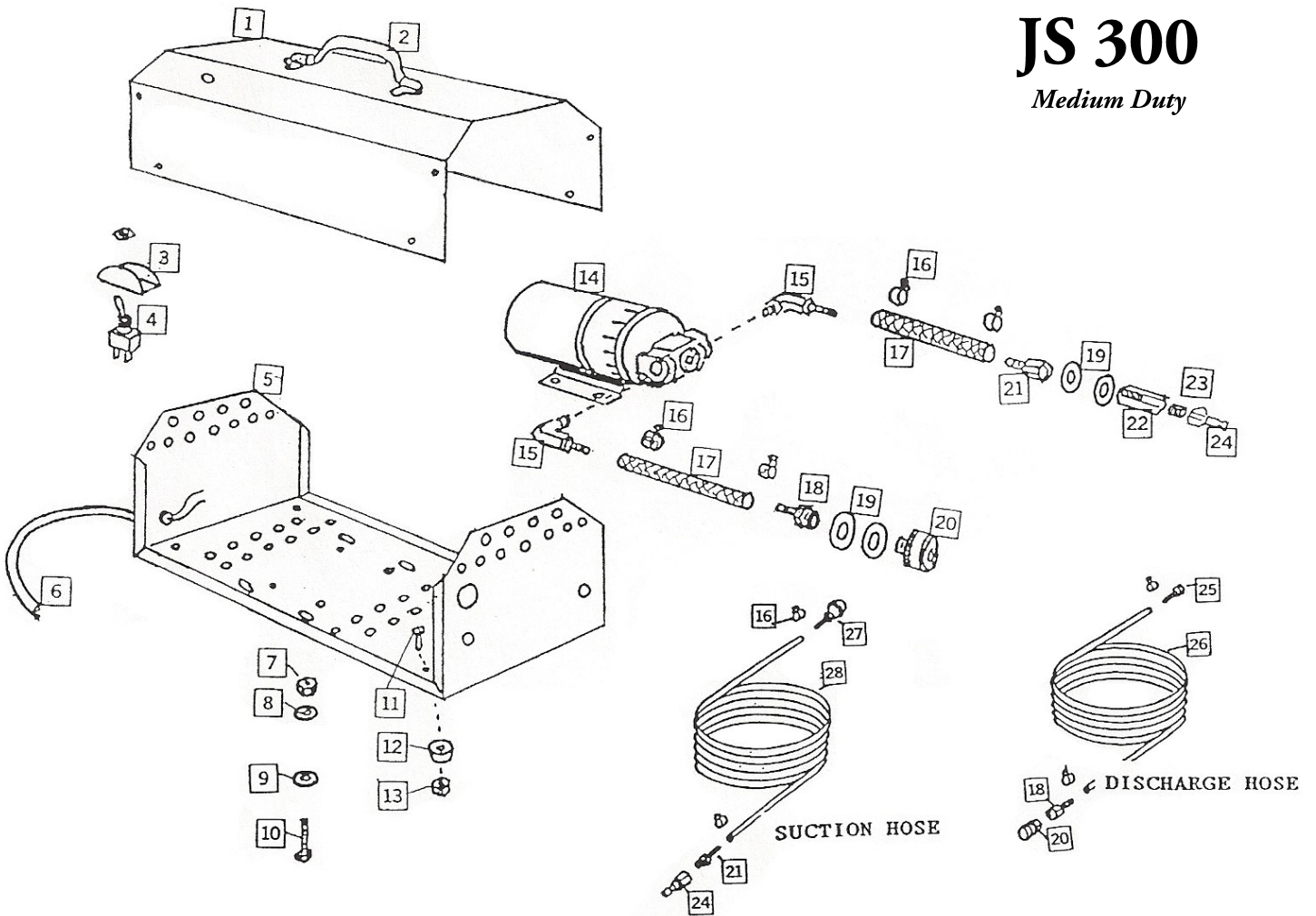
To the extent any provision of this warranty is prohibited by federal, state or municipal law, and cannot be preempted, it shall not be applicable. This warranty gives you specific rights, and you may also have other rights which vary from state to state.

We Appreciate Your Business!



JS 300

Medium Duty



ITEM	PART #	DESCRIPTION	QTY
1	65205	Cover	1
2	20303	Handle Assembly	1
3	20217	Switch Guard	1
4	20120	Switch	1
5	65204	Base	1
6	15021	Cord Set	1
7	20109	Nut	4
8	15012-8	Flat Washer	4
9	40012-2	Lock Washer	4
10	50005	Bolt	4
11	20105-2	Bolt	4
12	20108	Bumper	4
13	20109	Nut	4
14	30014	Pump	1

ITEM	PART #	DESCRIPTION	QTY
15	50078	Barb Elbow	2
16	50031	Clamp	8
17	50042	Hose Link	2
18	30042	Barb Fitting	2
19	30065	Brass Washer	4
20	5020-1	Quick Coupler	2
21	20235-2	Barb Fitting	1
22	30331-1	Ball Valve	1
23	40032	Close Nipple	1
24	5020-2	Quick Coupler Nipple	2
25	30339	Cleaning Adapter	1
26	50042	6' Hose Discharge	1
27	20235	End Strainer	1
28	20233	6' Inlet Hose	1